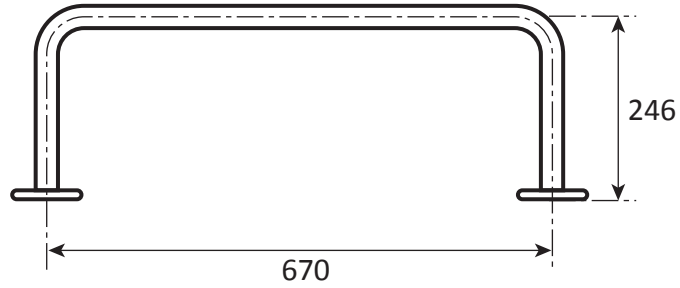
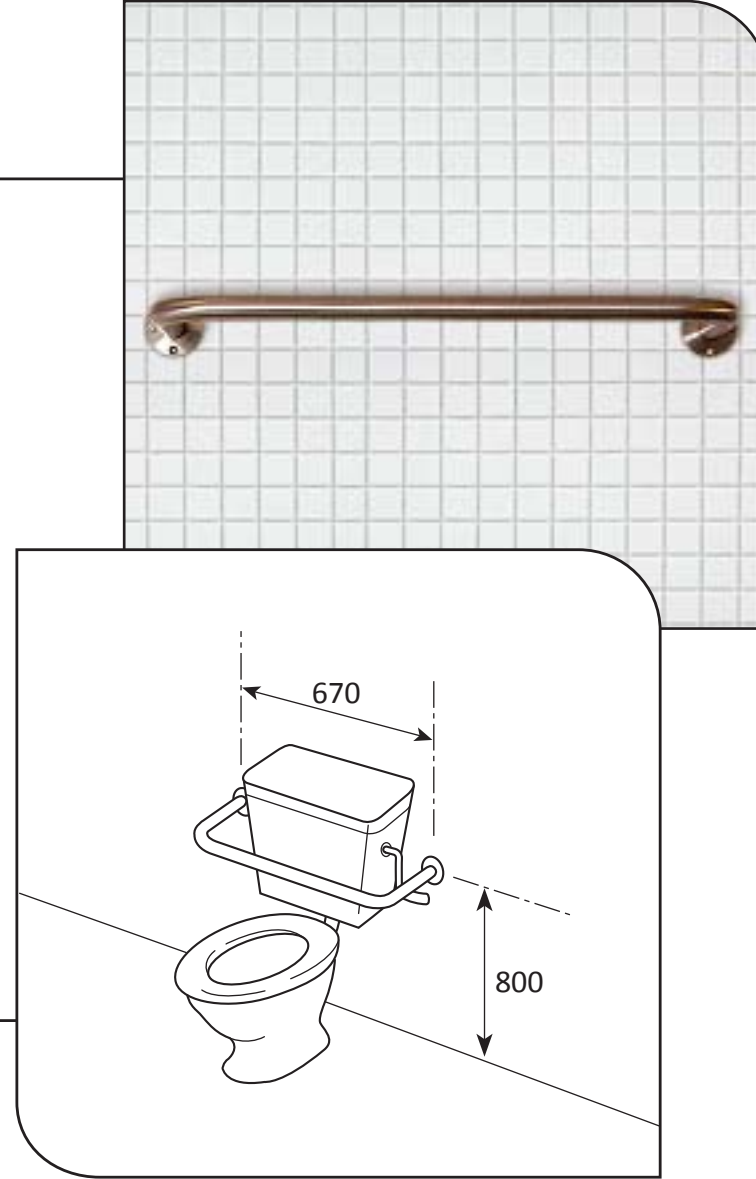


# Grabrails Railman



**Ref: SR2A**  
Cistern rail for Pearl  
670mm x 246mm



- **Material:** 304 High quality stainless steel 32mm o/d
- **Finish:** Satin polished
- **Flanges:** 80mm o/d drilled and countersunk with three fixed screws
- **Fasteners:** Stainless steel fixing screws with plastic wall plugs supplied



## **Railman Grab rails cc**

25 Auret Street, Jeppestown, Johannesburg  
PO Box 17084, Doornfontein, 2028  
Gauteng

**Tel:** 011 624 1222

**Fax:** 011 614 4817

**Email:** [info@railmangrabrails.co.za](mailto:info@railmangrabrails.co.za)

**Web:** [www.railmangrabrails.co.za](http://www.railmangrabrails.co.za)