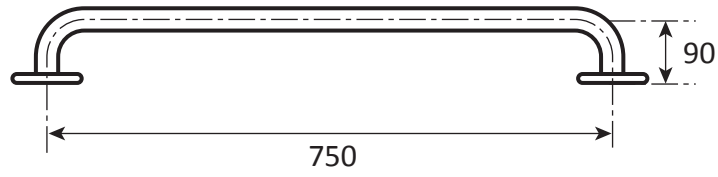
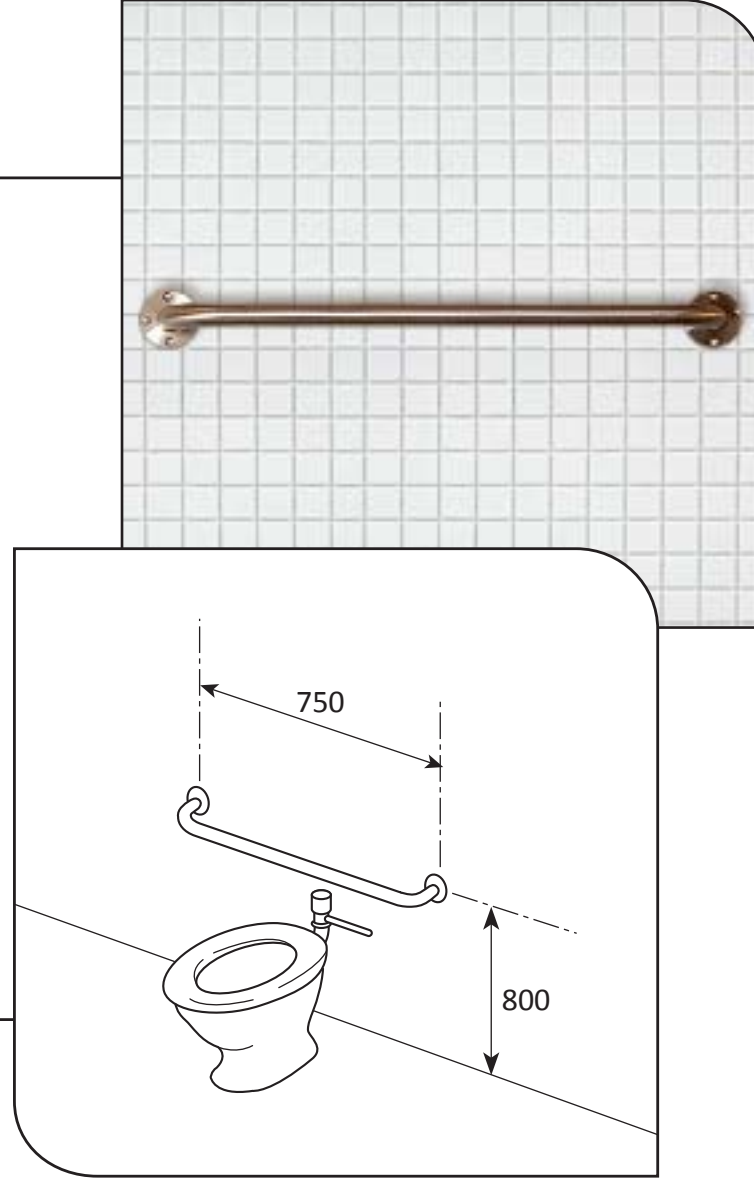


Grabrails Railman



Ref: SR1
Flush valve rail
750mm x 90mm



- **Material:** 304 High quality stainless steel 32mm o/d
- **Finish:** Satin polished
- **Flanges:** 80mm o/d drilled and countersunk with three fixed screws
- **Fasteners:** Stainless steel fixing screws with plastic wall plugs supplied



Railman Grab rails cc

25 Auret Street, Jeppestown, Johannesburg
PO Box 17084, Doornfontein, 2028
Gauteng

Tel: 011 624 1222

Fax: 011 614 4817

Email: info@railmangrabrails.co.za

Web: www.railmangrabrails.co.za